

The mini truck for
**Faster Turn
Around Time**

ecomet 1012

Smart



- ▶ Improved heavy duty clutch
- ▶ S-cam brakes
- ▶ Improved electrical system
- ▶ New-look cabin
- ▶ GVW 10900 Kgs

Expect much more from the all-new ecomet 1012 Smart. This mini truck gives you faster turnaround time and carries more payload per trip. Its rugged aggregates, which now include the new S-cam brake, improved clutch and reliable electricals, ensure low maintenance costs and high savings!



ASHOK LEYLAND



HINDUJA GROUP

ecomet 1012

Smart

The ECOMET Advantage

- Powered by the fuel efficient 'H' series BSIII engine.
- 120 HP with 392 Nm torque
- New responsive S-cam Brakes
- Improved, long lasting clutch and fail-safe electricals
- Better drive line with 5 speed OD & RS120 Drive head

Applications

- Market Load
- Parcel Courier
- Intercity Logistics
- Agri-perishables

Anytime, Anywhere Service:

Nationwide coverage through strong network of :

- More than 200 Dealer outlets for Sales / Service / Parts support
- Above 150 Authorised Service Centers
- Ashok Leyland Trained Mechanics (approx 12000)
- Readily available spare parts - LEYPARTS
- Leyland Direct 24X7 National Helpline Service
- Mobile Service Vans

Options

- VISHVAS - Annual Maintenance Contract
- Extended Service Package - 2 years/2,00,000 kms
- Extended Warranty Package - 3 years/3,00,000 kms

Specifications

| | |
|-----------------------|--|
| Engine | "H" series 4 Cylinder Turbo Charged Intercooled |
| Maximum Power | 120 HP @ 2400 rpm |
| Maximum Torque | 392 Nm @ 1600 RPM |
| Clutch | 330 mm Dia Single Plate dry type-Hydraulic actuation |
| Gear Box | Synchromesh 5S ODGB with FGR 5.96:1 |
| Max Speed in Top Gear | 93.2 kmph |
| Gradeability | 23.05% |
| Steering | Power Steering |
| Frame Dimensions | All steel ladder type with bolted construction |
| Front Axle | I Section Reverse Elliot |
| Rear Axle | Fully Floating RS120 5.13:1 RAR |
| Suspension | Shackle ended |
| Cabin | All Steel factory built Tiltable Day Cabin |
| Brakes | Full air - dual line S-cam Brakes |
| Parking Brakes | Spring actuated, Pneumatic (on Rear only) |
| Battery | 12 V-100 AH |
| Tyres | 8.25x16-16 PR |
| GVW | 10900 Kgs |

Major Dimensions (in mm)

| | | | |
|---------------------------|-------|-----------|-------|
| Wheel base | 3250 | 3970 | 4200 |
| Front Overhang (Vehicle) | | 1338 | |
| Rear Overhang (Vehicle) | 1580 | 1780 | 2125 |
| Overall Length (Vehicle) | 6168 | 7088 | 7663 |
| Overall Width(Cabin/Body) | | 2207/2280 | |
| Front Track | | 1875 | |
| Rear Track | | 1689 | |
| Min. Ground Clearance | | 215 | |
| Turning Circle Dia | 11700 | 14500 | 15200 |
| Load Body Length | 14Ft | 17.2Ft | 19Ft |

The specifications are liable to change due to continuous improvements and are for reference only. Do not drill or weld on frame



Your One - stop Solution For vehicle Maintenance



Lower Maintenance Cost And Better Turnaround Time



Best Of Extended Warranty And Additional Service

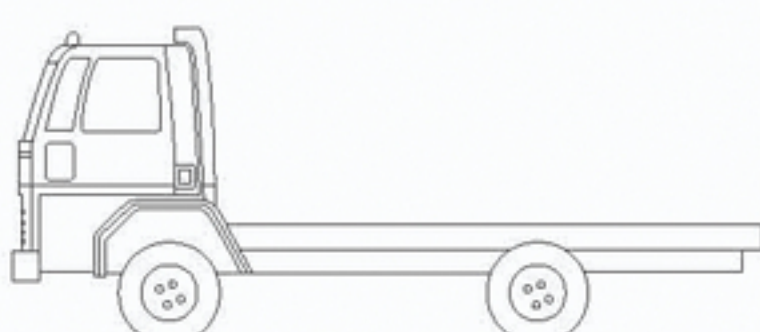


Original Quality Parts

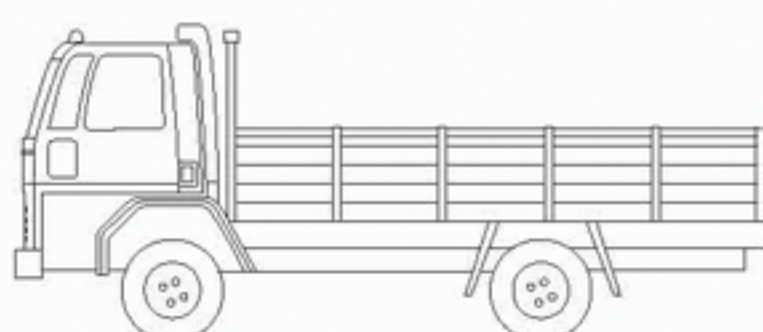


24 x 7 National Helpline

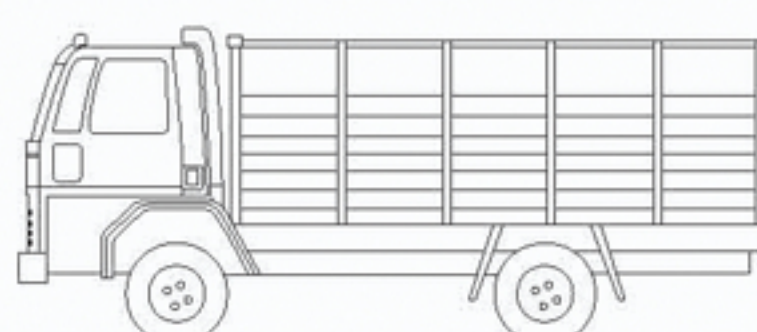
Body Options



Cab Chassis



FSD/ DSD



HSD



ASHOK LEYLAND

ASHOK LEYLAND, Marketing Division: 1 Sardar Patel Road, Guindy, Chennai- 600 032 Ph: (91) - 44 - 2220 6000 Fax: (91) - 44 - 2220 6001 Visit us at www.ashokleyland.com



HINDUJA GROUP